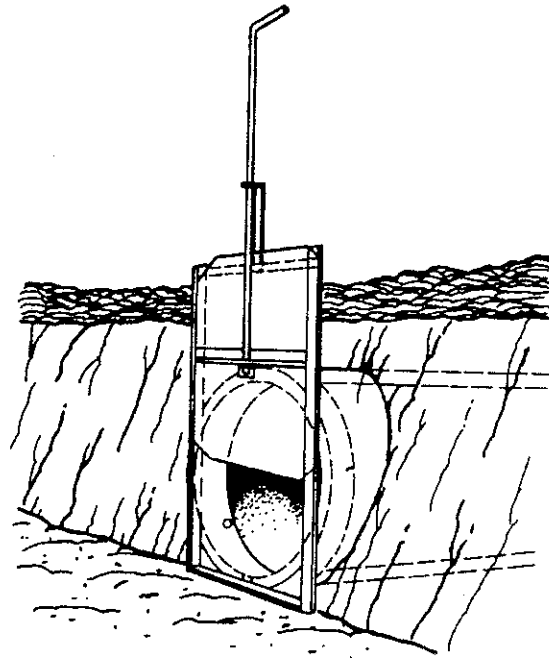
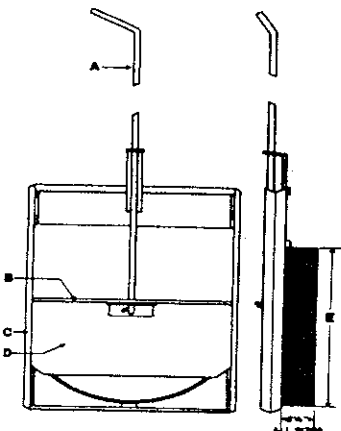


100 SERIES PORT VALVES

Used with concrete, corrugated metal pipe, steel or asbestos pipe. May be used as check or diversion gates in small concrete ditches, or in reservoirs or storage ponds as outlet gates. The steel ring has three $\frac{1}{4}$ " x $\frac{3}{4}$ " sheet metal screws that can be used to lock the valve to the pipe, thus allowing it to be quickly cemented into place. The "cam lock" closure provides secure and accurate flow control. The 100 Series Port Valve, from 6" thru 24" diameter, with its wide ring and lock screws make it an affordable alternative to more costly valves designed for the same application.



SIZE	FRAME PART #	LID PART #	CROSSBAR PART #	HANDLE PART #
	30106	30906	30006	30001
	30108	30908	30008	30001
10"	30110	30910	30010	30001
12"	30112	30912	30012	30001
14"	30114	30914	30014	30001
15"	30115	30915	30015	30001
16"	30116	30916	30016	30001
18"	30118	30918	30018	30002
20"	30120	30920	30020	30002
21"	30121	30921	30021	30002
24"	30124	30924	30024	30002

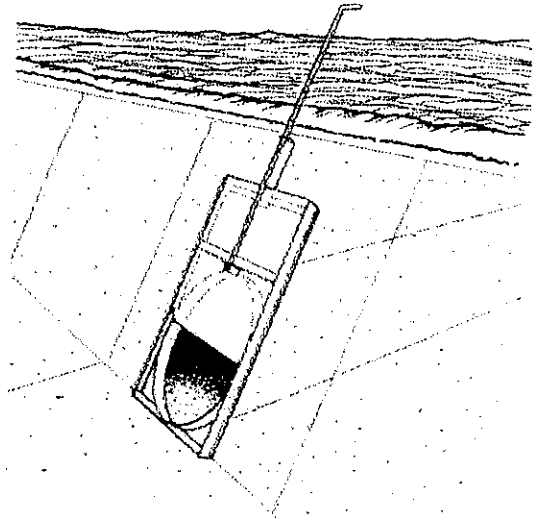


A= HANDLE
 B=CROSSBAR
 C=FRAME
 D=LID
 E=VALVE SIZE -1/2"

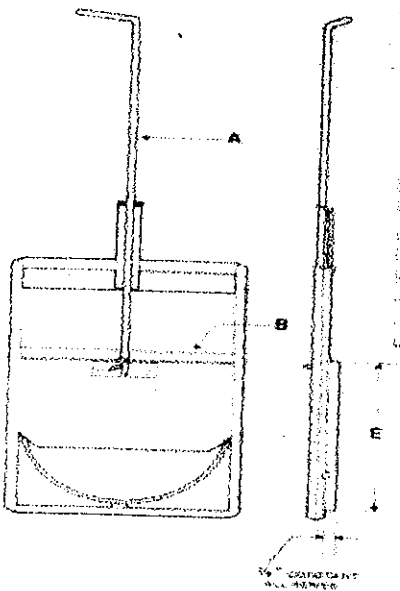
ALL RINGS ARE 3" WIDE

500 SERIES PORT VALVES

Adjustable flow control port valves for concrete lined ditches. The lid can be quickly locked in any position for accurate flow control with a "camlock" closure. This valve has been designed and constructed to make installations a fast and simple task. The 500 Series Port Valves are very popular and widely used in most Southwestern states on all kinds of farm irrigation systems. These valves are very reliable and will take an enormous amount of abuse. There have been no changes made in the design of these valves since their development over 40 years ago. Today they are still one of the most affordable products on the market for their application.



SIZE	FRAME PART #	LID PART #	CROSSBAR PART #	HANDLE PART #
8"	30506	30906	30006	30003
9"	30508	30908	30008	30003
10"	30510	30910	30010	30003
12"	30512	30912	30012	30003
14"	30514	30914	30014	30003
16"	30516	30916	30016	30003

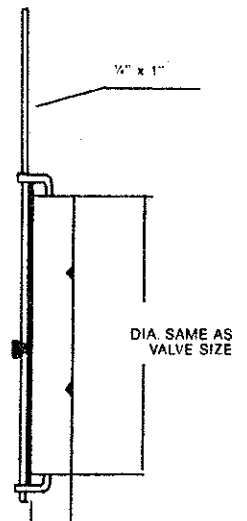
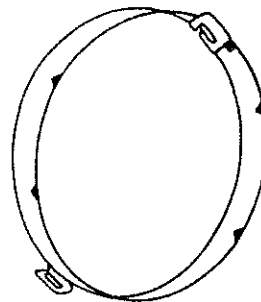
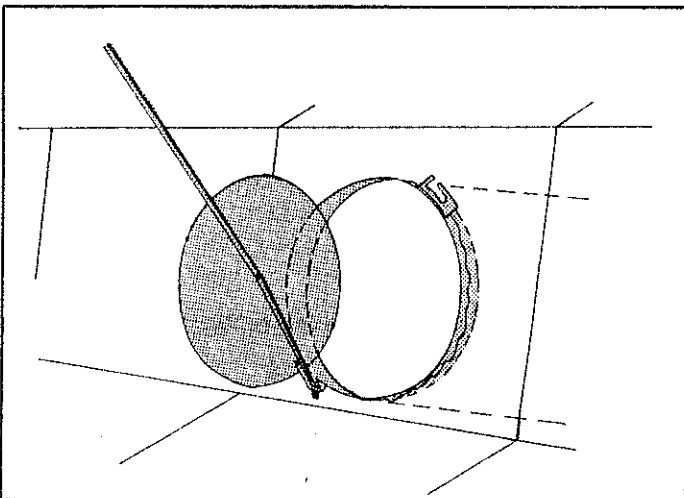
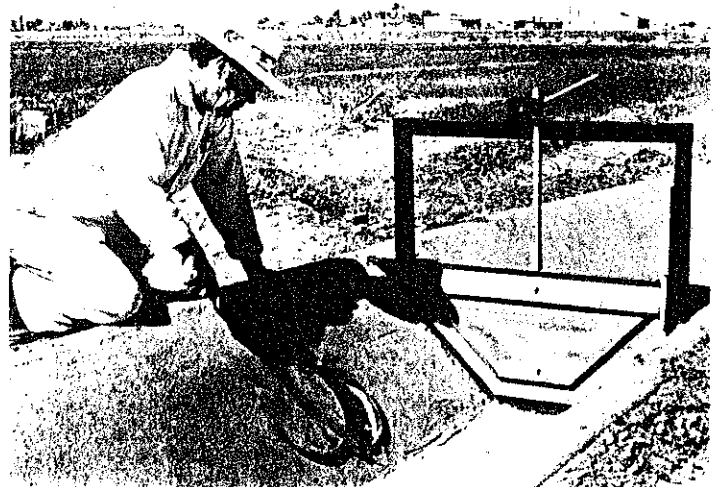
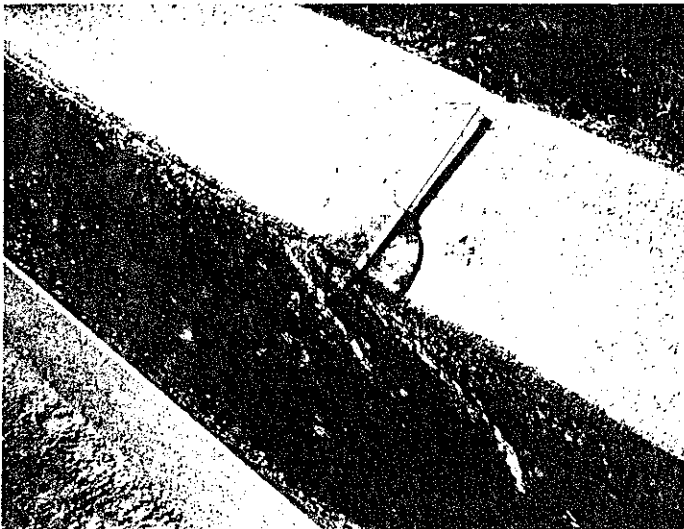


A= HANDLE
B=CROSSBAR
C=FRAME
D=LID

ALL RINGS ARE 1 1/2" WIDE

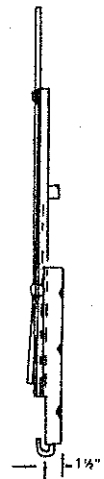
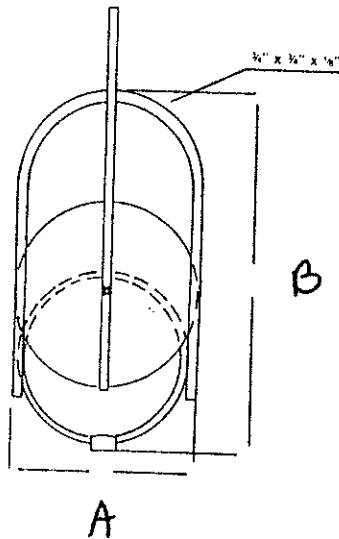
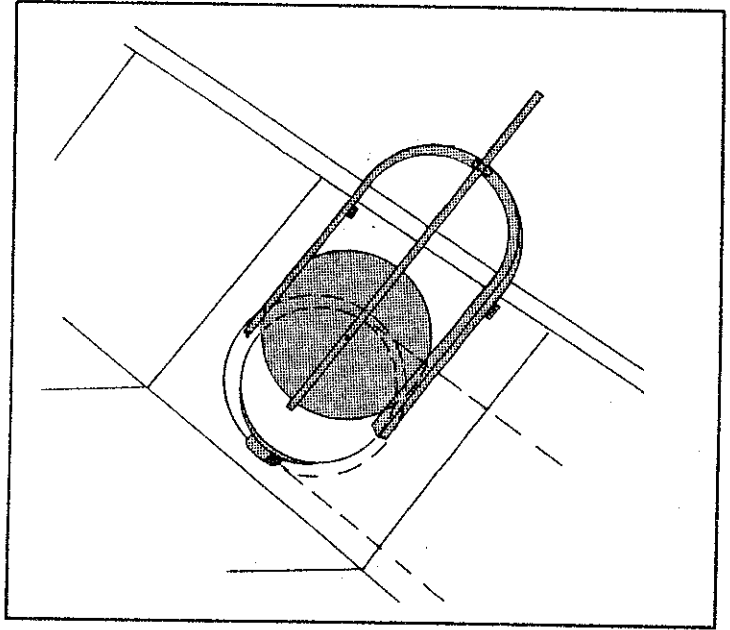
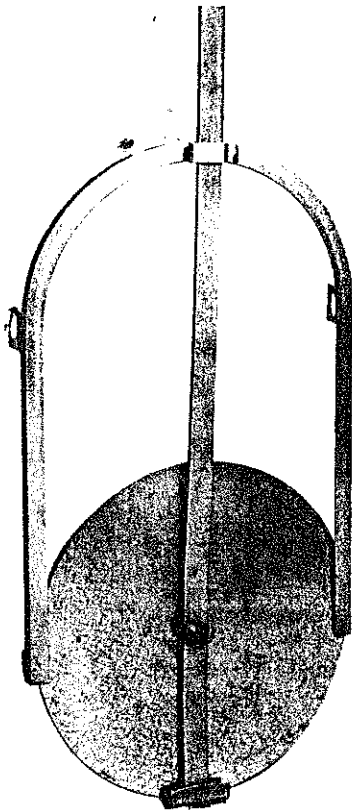
CLIP-TYPE PORT VALVES

Clip-type port valves, generally installed in a concrete wall during the paving process, open and close in seconds, and spring tension insures a water-tight seal. Dimensions: 8", 12" and 14" in stock; larger sizes available by special order.



SLIDE-TYPE PORT VALVES

These contain the same features as the Clip-Type, also ideal for deeper ditches when equipped with longer handles. Dimensions are the same as clip-type valves.



VALVE SIZE	A	B	SLIDE	WEIGHT	FINISH
8"	9 3/4"	18"	18 Ga. Galv.	6.4 lbs.	ZINC
12"	13 1/2"	25 1/2"	18 Ga. Galv.	8.5 lbs.	ZINC
14"	15 1/2"	29 1/2"	16 Ga. Galv.	10.5 lbs.	ZINC

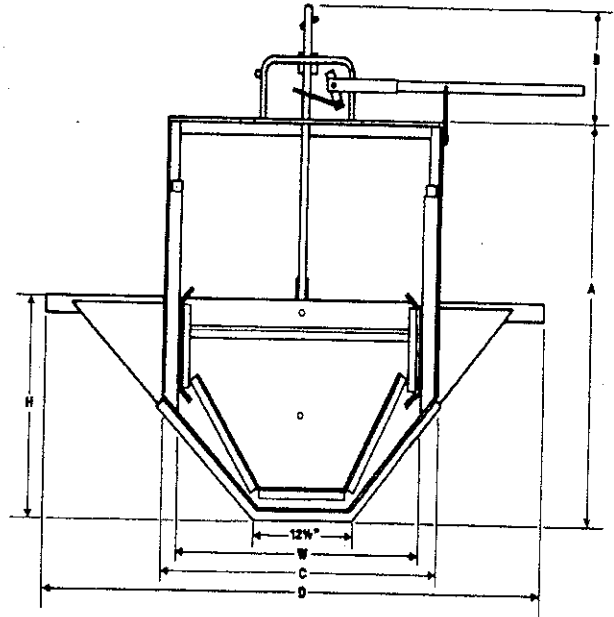
LARGER SIZES AVAILABLE UPON REQUEST

Arizona Bag Company
 2530 West Buckeye Road
 Phoenix, Arizona 85009
 P.O. Box 6650
 Phoenix, AZ 85005-6650
 Phone: (602) 272-1333

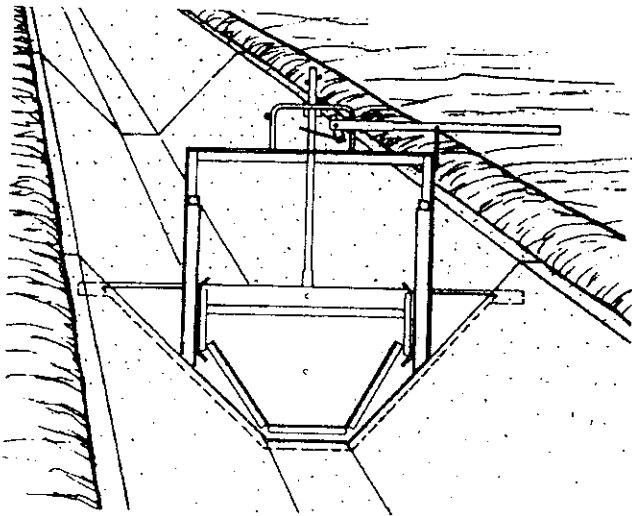
912 SERIES HEADGATE

**912 SERIES INDICATES
12" BOTTOM CONCRETE LINED DITCHES
WITH A STANDARD 1:1 SLOPE**

- **RUGGED STRUCTURAL STEEL**
Frames and heavy reinforced slides insure long trouble-free service.
- **DURABLE JACKLIFTS**
Are designed for fast, easy flow control.
- **MOLDED RUBBER GASKETS**
From a watertight seal between the frame and the slide.
- **ALL PARTS ARE SPECIALLY TREATED**
To resist rust and corrosion we use a special coating on the frame and all imbedded steel components while the slides and miscellaneous hardware are either hot dipped galvanized or zinc plated.
- **SPECIAL SIZES AND FINISHES**
Many options are available and we will be happy to quote you on request.

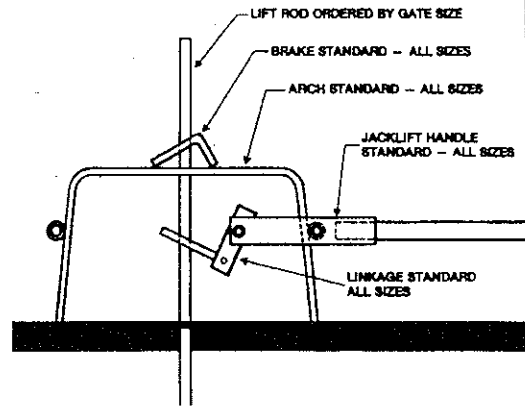


PART #	MODEL #	OPENING		DIMENSIONS				SHIPPING WEIGHT
		W	H	A	B	C	D	
34620	912-3620	36	20	43	9	39 3/8	60	95 LBS
34622	912-3622	36	22	47	9	39 3/8	64	99 LBS
34224	912-4224	42	24	51	9	45 3/8	68	108 LBS
34226	912-4226	42	26	55	9	45 3/8	72	115 LBS
34228	912-4228	42	28	59	9	45 3/8	76	121 LBS
34230	912-4230	42	30	63	9	45 3/8	80	128 LBS
34232	912-4232	42	32	67	9	45 3/8	84	136 LBS
34234	912-4234	42	34	71	9	45 3/8	88	142 LBS



RUBBER AND LIFT MECHANISM PARTS

ART NUMBER	DESCRIPTION
31101	ARCH
31102	LINKAGE
31103	BREAK
31104	HANDLE
31105	HANDLE LOCK



PART NUMBER	DESCRIPTION
3201	BOTTOM BASKET 1" X 5/8"
3202	DITCH CHECK 1/8" X 2" RUBBER
3203	HD SIDE GASKET
3204	SIDE GASKET

HEAVY DUTY SIDE GASKET
USED FOR HEAVY DUTY COSTOM
SOLD IN 12' LENGHTS ONLY

NO. 3203



BOTTOM GASKET
USED ON ALL SERIES
OF
HEADGATES



SIDE GASKET STANDARD
USED ON ALL STANDARD
SERIES GATES 700 THRU 924
SOLD IN 12' LENGHTS ONLY

NO. 3204